



Sink - MEM

Wall-mounted three-hole lavatory mixer without drain - polished chrome

Article number: 36 717 782-00 0010



- 9-1/2" Projection
- Rigid spout
- Rectangular aerated stream
- Valve hole diameter 1-5/8"
- Spout hole diameter 1-5/8"
- Individual flanges 2-3/8" x 2-3/8"
- Water flow rate limited to max. 1.2 gpm
- lead-free
- (ADA)

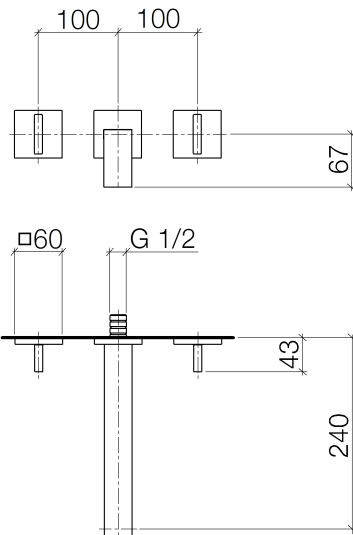


polished chrome



Accessory is required for this item.

Dimensional drawing





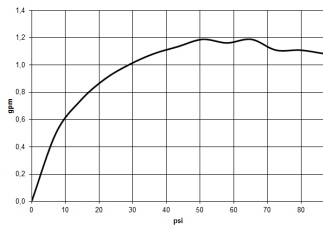
Sink - MEM

Wall-mounted three-hole lavatory mixer without drain - polished chrome

Article number: 36 717 782-00 0010

All dimensions in mm / inch = mm x 0,0394

Flow rate chart





Sink - MEM

Wall-mounted three-hole lavatory mixer without drain - polished chrome

Article number: 36 717 782-00 0010

Other surface finishes



platinum matte

36 717 782-06 0010



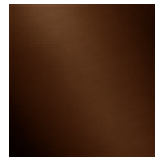
platinum

36 717 782-08 0010



Dark Brass matte

36 717 782-16 0010



Dark Bronze matte

36 717 782-17 0010



Cyprum

36 717 782-49 0010



Dark Platinum matte

36 717 782-99 0010

More custom finish options are available via special production (xTra Service). Please see our finish matrix for availability and pricing or contact a Dornbracht representative.

Required article



35 707 970-90 0010

Rough for wall-mounted faucet spout in center -



35 712 970-90 0010

Rough for wall-mounted faucet flexible positioning -



35 713 970-90 0010

Rough for wall-mounted faucet spout on left -



35 714 970-90 0010

Rough for wall-mounted faucet spout on right -

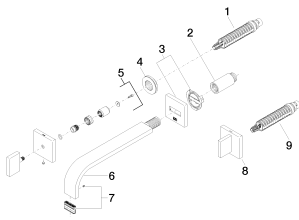


Sink - MEM

Wall-mounted three-hole lavatory mixer without drain - polished chrome

Article number: 36 717 782-00 0010

Spare parts list



Number	Item Number	Designation	Number of units
--------	-------------	-------------	-----------------